

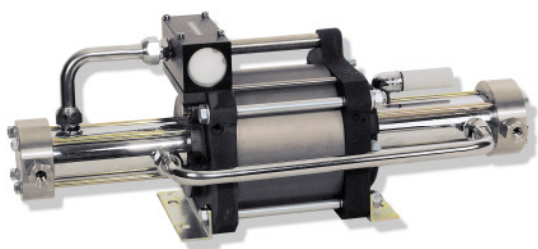
# MAXIMATOR®

## Maximum Pressure.



High Pressure Technology • Testing Equipment  
Hydraulics • Pneumatics

### Technical Data Sheet



DLE 5-30  
single acting, single air drive head  
two stages

### Gas booster DLE 5-30

#### Technical Data:

Air drive pressure pL:	1-10 bar / 14,5 - 145psi
Pressure ratio i:	1:5/1:30
Compression ratio	1:90
Stage pressure ratio:	1:6
Minimum suction pressure pA:	2 bar
Maximum suction pressure pA:	0.5* air drive pressure pL
Maximum outlet pressure pB:	330 bar
Displacement volume/double stroke:	373 cm <sup>3</sup>
Maximum cycles:	110 / min
Stall pressure:	PB = 30* pL + 30/5*pA

#### Standard Connections:

Air drive:	3/4 BSP
DLE 5-30 (-GG)	Inlet/Outlet: 1/2 BSP 1/4BSP
Maximum operating temperature	100°C
Net weight:	19 kg

Pressure and flow performances, please see enclosed graph.

#### Materials of construction hp section DLE 5-30:

Standard seal package:	PTFE, Viton
Compressor head:	Aluminium anodised / 1.4305
HP cylinder:	Alu hardcoated/1.4542
HP piston:	1.4305
Fittings:	1.4305
Balls:	1.4034
Springs:	1.4310

#### Approximate Dimensions:

Length:	612 mm
Width:	181 mm
Height:	233 mm

#### Available Options:

Inert gas service (standard)	DLE 5-30 (-GG)
Oxygen service:	DLE 5-30-GG-S
CO <sub>2</sub> service:	DLE 5-30-GG-C
In-/Outlet: 9/16-18UNF	DLE 5-30-UU
In-/Outlet: 1/4NPT	DLE 5-30-NN

#### Available Accessories:

Air control units with filter pressure regulator, control pressure gauge and shut off valve:	DLE 5-30 with C2
To protect the booster against excessive outlet pressures or to limit the outlet pressure, a safety valve can be fitted to the air control unit in the air drive line:	DLE 5-30 with C2/SVair (The required outlet pressure has to be indicated.)

**Please consult factory for more information.** All technical and dimensional information subject to change. All General Terms and Conditions of sale, including limitations of our liability, apply to all products and services sold.

# MAXIMATOR®

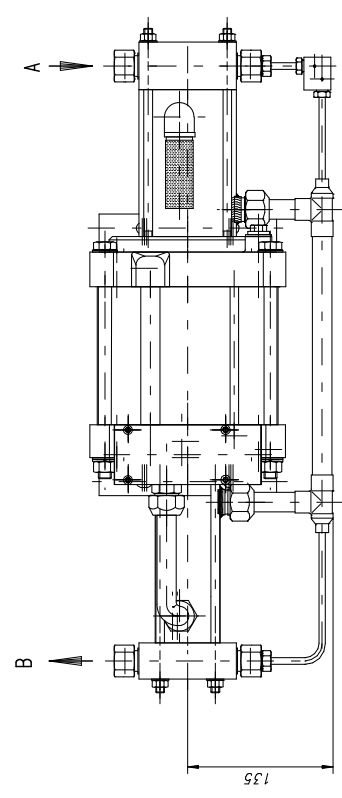
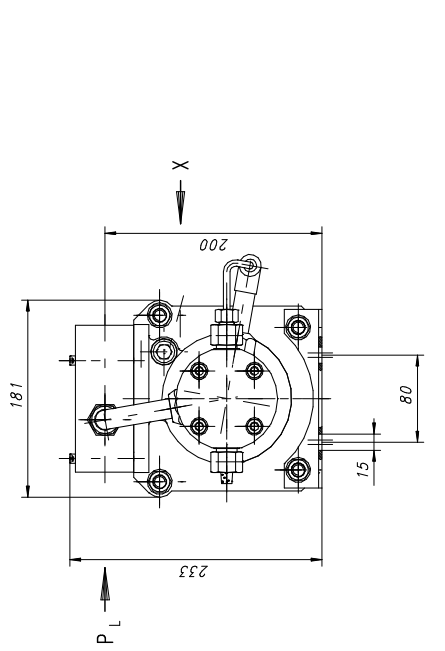
## Maximum Pressure.



High Pressure Technology • Testing Equipment  
Hydraulics • Pneumatics

### MAXIMATOR

Maßzeichnung / Dimension drawing  
Typ / type: DLE 5 - 15, DLE 5 - 30



Antriebslufteinloß... $P_L = G3/4$  (3/4BSP)  
(air drive inlet)  
Gaseinloß.....A = G1/2 (1/2BSP) > 1/2NPT <  
(gas inlet)  
Gasausloß.....B = G1/4 (1/4BSP) > 9/16-18UNF <  
(gas outlet)  
Steuerluftanschluß.....X = G1/8 (1/8BSP)  
(external pilot con.)

<b>MAXIMATOR®</b>	
D-99734 Nordhausen / D-97448 Zorge	
Modell: DLE 5 - 15(30)	
MAXIMATOR - DLE	
doppelwirkend / einstufig	
(Druckspannung)	
IP 16.00.176	
(Druckverl.)	
(32.0.)	
FABRIK-NR.	
SERIAL-NR.	

# MAXIMATOR®

## Maximum Pressure.



High Pressure Technology • Testing Equipment  
Hydraulics • Pneumatics

