

MAXIMATOR®

Maximum Pressure.



High Pressure Technology • Testing Equipment
Hydraulics • Pneumatics

Technical Data Sheet

Gas booster DLE 15-1



DLE 15-1
single acting, single air drive head
single stage

Technical Data:

Air drive pressure pL:	1-10 bar / 14,5 - 145psi
Pressure ratio i:	1:15
Compression ratio	1:20
Minimum suction pressure pA:	7
Maximum suction pressure pA:	150 bar
Maximum outlet pressure pB:	150 bar
Displacement volume/double stroke:	122 cm ³
Maximum cycles:	130 / min
Stall pressure:	PB = i * pL

Standard Connections:

Air drive:	3/4 BSP
DLE 15-1 (-GG)	Inlet/Outlet: 1/4BSP
Maximum operating temperature	100°C
Net weight:	13 kg

Pressure and flow performances, please see enclosed graph.

Materials of construction hp section DLE 15-1:

Standard seal package:	PTFE, Viton
Compressor head:	1.4305
HP cylinder:	1.4542
HP piston:	1.4305
Fittings:	1.4305
Balls:	1.4034
Springs:	1.4310

Approximate Dimensions:

Length:	448 mm
Width:	181 mm
Height:	275 mm

Available Options:

Inert gas service (standard)	DLE 15-1 (-GG)
Oxygen service:	DLE 15-1-GG-S
CO ₂ service:	DLE 15-1-GG-C
In-/Outlet: 9/16-18UNF	DLE 15-1-UU
In-/Outlet: 1/4NPT	DLE 15-1-NN

Available Accessories:

Air control units with filter pressure regulator, control pressure gauge and shut off valve:	DLE 15-1 with C2
To protect the booster against excessive outlet pressures or to limit the outlet pressure, a safety valve can be fitted to the air control unit in the air drive line:	DLE 15-1 with C2/SVair (The required outlet pressure has to be indicated.)

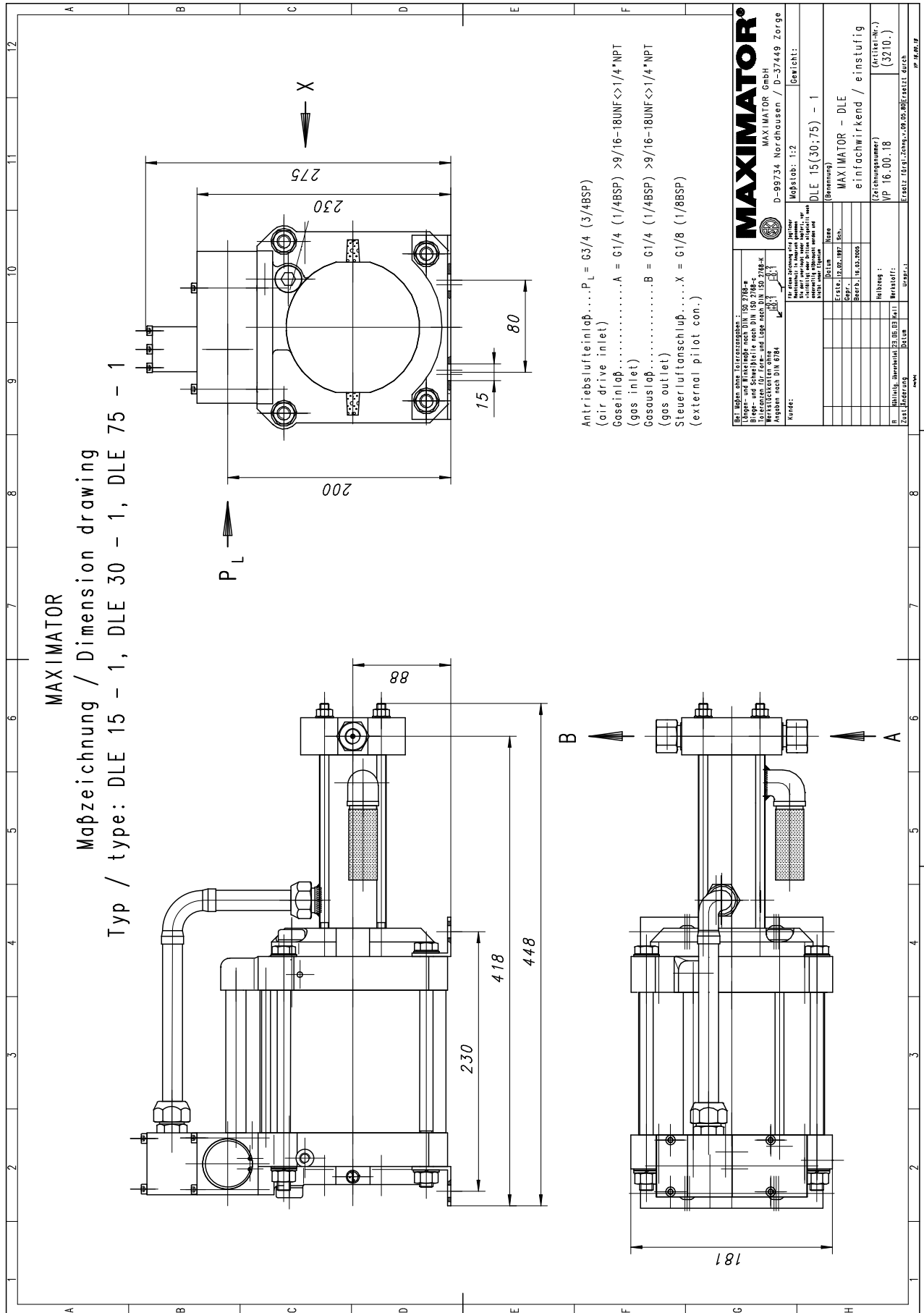
Please consult factory for more information. All technical and dimensional information subject to change. All General Terms and Conditions of sale, including limitations of our liability, apply to all products and services sold.

MAXIMATOR®

Maximum Pressure.



High Pressure Technology • Testing Equipment
Hydraulics • Pneumatics



MAXIMATOR®

Maximum Pressure.



High Pressure Technology • Testing Equipment
Hydraulics • Pneumatics

