

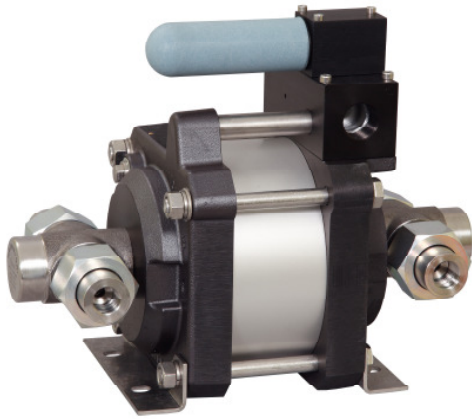
# MAXIMATOR®

## Maximum Pressure.



High Pressure Technology • Testing Equipment  
Hydraulics • Pneumatics

### Technical Data Sheet



G100DS  
double acting, single air drive head  
(Only side inlet available)

G100DS

» Oil service

G100DVES

» Water service

#### Technical Data:

Air drive pressure: 1-10 bar / 14,5 - 145psi

Calculated Outlet Pressure at an air drive of 10 bar/145 psi: 1,050 bar/ 15,225 psi

Pressure ratio: 1:113

Displacement volume/double stroke 17.6 cm<sup>3</sup>/ 1.07 cu.inch

#### Connections:

Inlet: Only side inlet available: 3/4 BSP

Outlet: 1/2 BSP

Air drive: 3/4 BSP

Maximum operating temperature: 60°C

Net weight: 17.0 kg

Pressure and flow performances, please see enclosed graph.

#### Wetted materials of construction:

Seal package: G100DS: Polyurethan, NBR  
G100DVES: UHMWPE, FKM

Pump Body: 1.4305

Piston: 1.4112 (hardened)

Fittings: 1.4571

#### Approximate Dimensions:

Height: 344 mm

Depth: 184.5 mm

Width: 272 mm

#### Available Options:

Seal material for oil service: G100DS

Seal material for water service: G100DVES

Special inlet and outlet ports, i.e. NPT G100DS-NPT

G100DVES-NPT

Special seal material to handle special fluids on request.

#### Available Accessories:

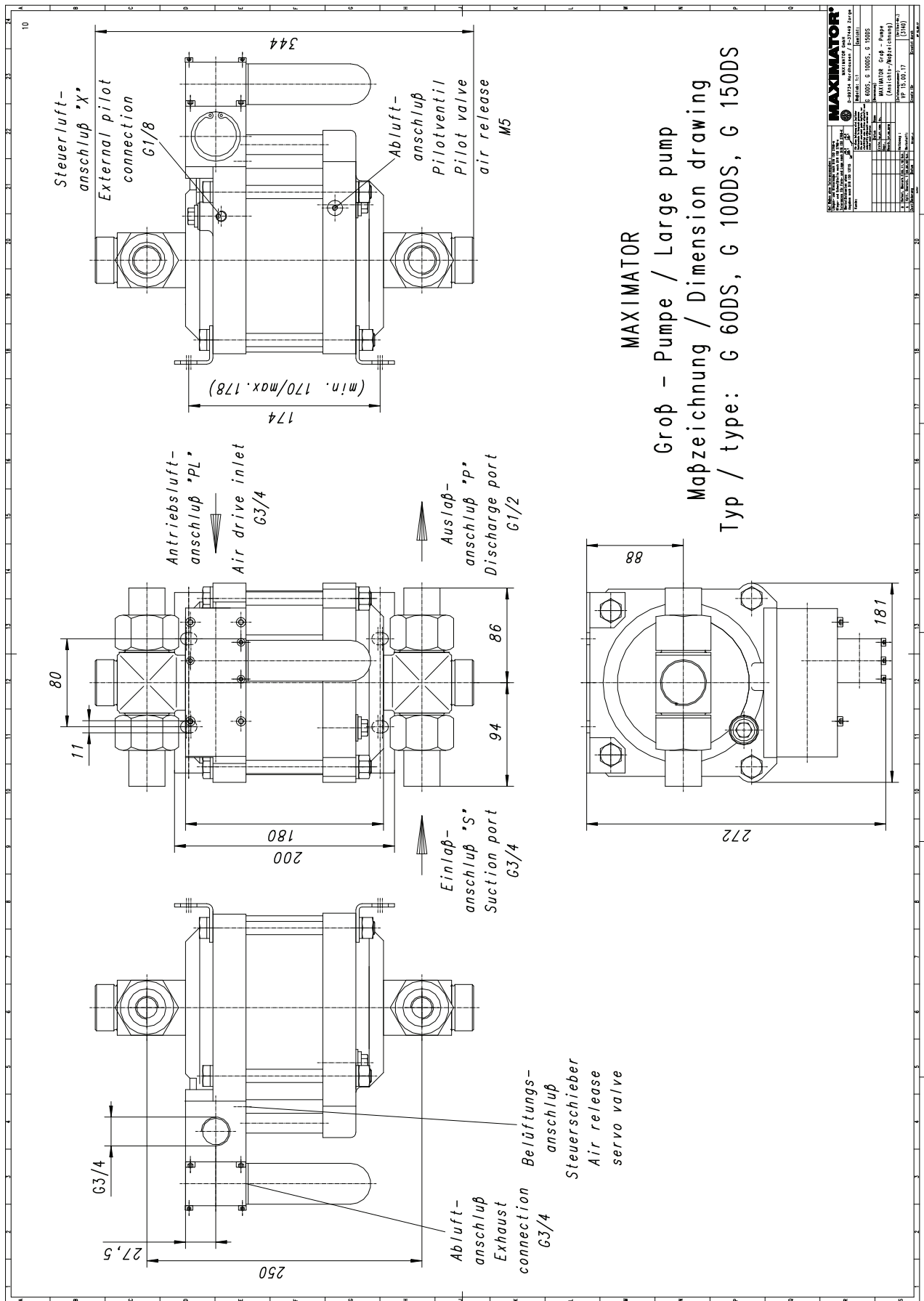
Air control units with filter pressure regulator, control pressure gauge and shut off valve: G100DS with C2

To protect the pump against excessive outlet pressures or to limit the outlet pressure, a safety valve can be fitted to the air control unit in the air drive line: G100DS with C2/SVair (The required outlet pressure has to be indicated.)

**Please consult factory for more information.** All technical and dimensional information subject to change. All General Terms and Conditions of sale, including limitations of our liability, apply to all products and services sold.

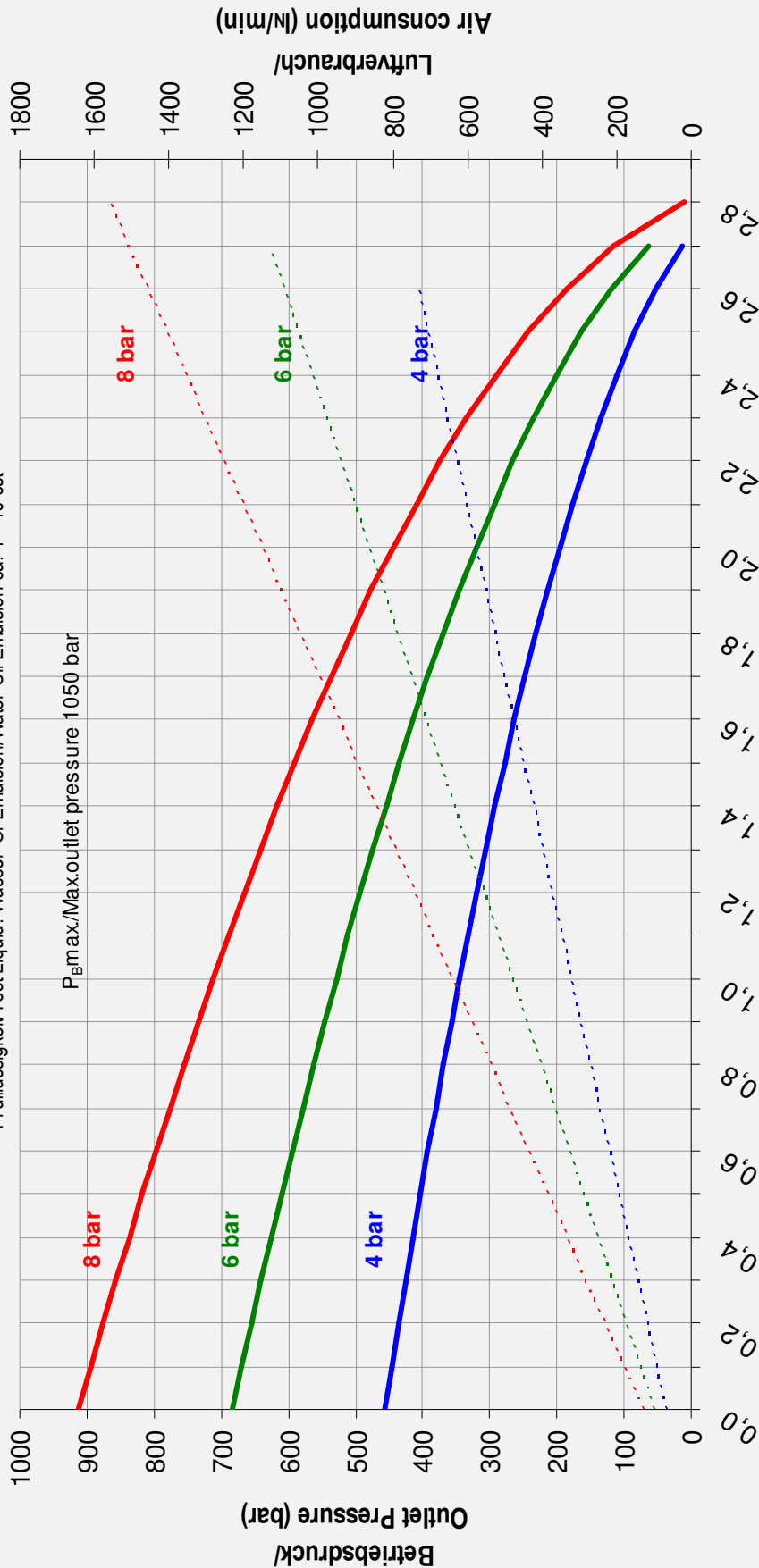


High Pressure Technology • Testing Equipment  
Hydraulics • Pneumatics



### Leistungsdiagramm/Performance Graph G 100 D

Prüfflüssigkeit/Test Liquid: Wasser-Öl-Emulsion/Water Oil Emulsion ca. 1 - 10 cst



Förderleistung/Flow (l/min)

- Betriebsdruck bei/Outlet Pressure at 4 bar
- Betriebsdruck bei/Outlet Pressure at 6 bar
- Betriebsdruck bei/Outlet Pressure at 8 bar
- - - Luftverbrauch bei/Air consumption at 4 bar
- - - Luftverbrauch bei/Air consumption at 6 bar
- - - Luftverbrauch bei/Air consumption at 8 bar